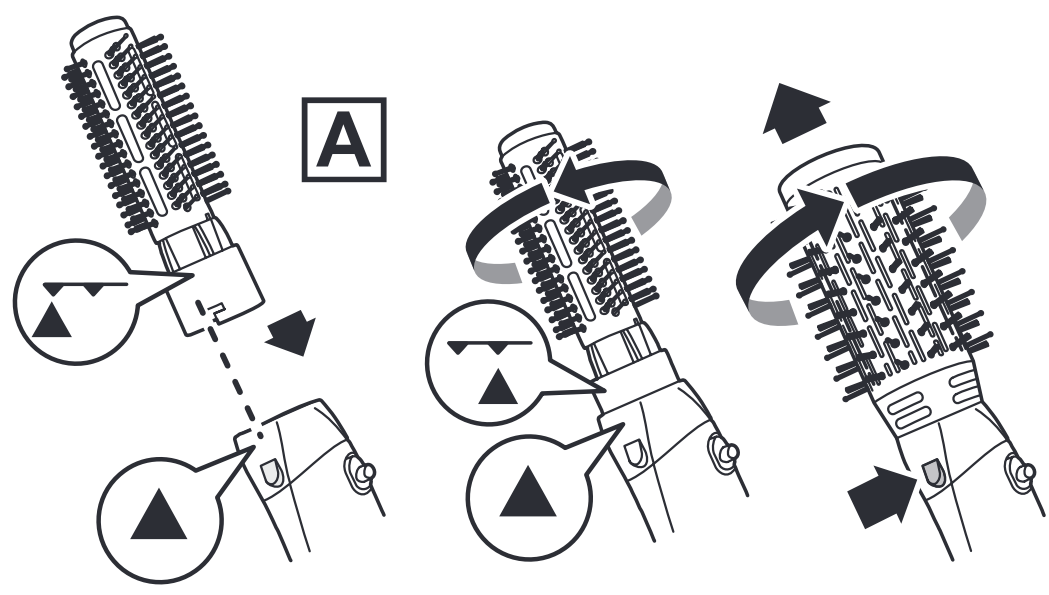
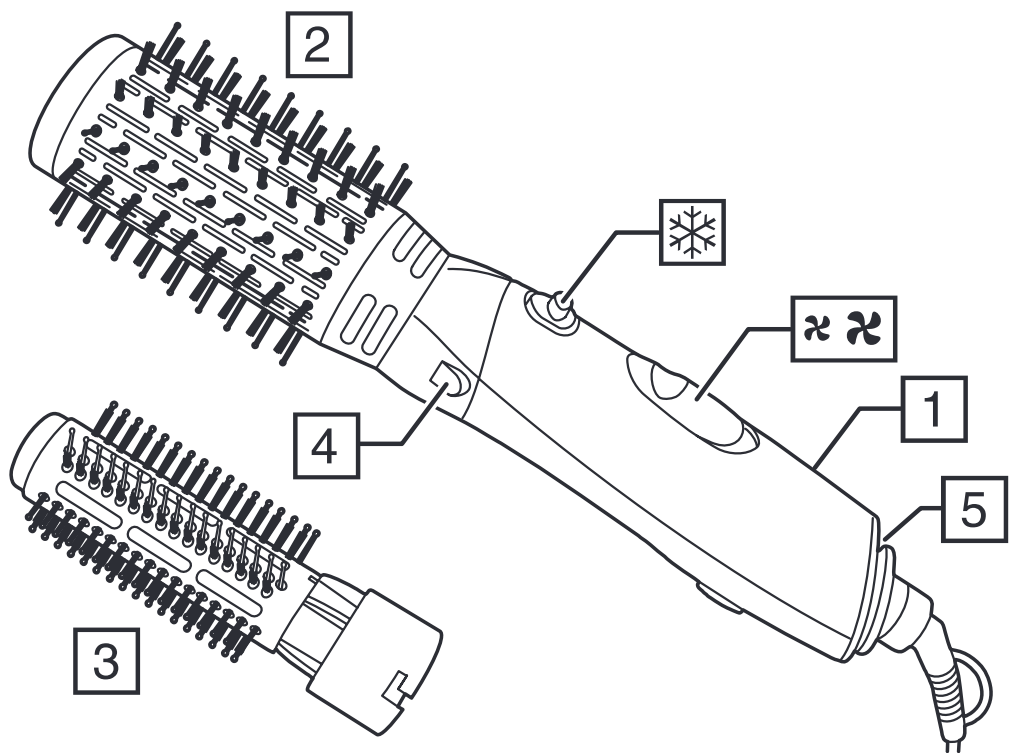


# REMINGTON®

EST. NEW YORK 1937



## Coconut Smooth Airstyler AS5901




Thank you for buying your new Remington® product. Please read these instructions carefully and keep them safe. Remove all packaging before use.



**WARNING: This appliance is hot. Keep out of reach of children at all times.**

### IMPORTANT SAFEGUARDS

- This appliance can be used by children aged from 8 years and above and persons with reduced physical, sensory or mental capabilities or lack of experience and knowledge if they have been supervised/instructed and understand the hazards involved. Children shall not play with the appliance. Cleaning and user maintenance shall not be done by children unless they are older than 8 and supervised. Keep the appliance and cable out of reach of children under 8 years.
  -  Do not use this appliance near bathtubs, showers, basins or other vessels containing water.
  - When the appliance is used in a bathroom, unplug it after use since the proximity of water presents a hazard even when the appliance is switched off.
  - For additional protection, the installation of a residual current device (RCD) having a rated residual operating current not exceeding 30 mA is advisable in the electrical circuit supplying the bathroom\*.
- \* Currently, the fitting in a bathroom of an electrical socket suitable or capable of operating the appliance is not permitted in the UK (see BS7671).
- If the supply cord of this unit becomes damaged, discontinue use immediately and return the appliance to your nearest authorised Remington® service dealer for repair or replacement in order to avoid a hazard.
  - Always ensure the voltage to be used corresponds to the voltage stated on the unit before plugging the appliance into the mains socket.
  - Keep direct airflow away from eyes or other sensitive areas.
  - Do not allow any part of the appliance touch the face, neck or scalp.

## ENGLISH

- During use, always ensure the inlet and outlet grilles are not blocked in any way as this will cause the unit to automatically stop. If this should occur, switch off and allow the unit to cool.
- Keep the power plug and cord away from heated surfaces.
- Do not leave the appliance unattended while plugged in.
- Do not place the appliance on any soft furnishings.
- Do not use attachments other than those we supply.
- Do not set the appliance down while still on.
- Do not twist or kink the cable, or wrap it round the appliance.
- Do not use the appliance if it is damaged or malfunctions.
- Check the cord regularly for any sign damage.
- This appliance is not intended for commercial or salon use.

---

### PARTS

---

- |   |                                 |
|---|---------------------------------|
| 1. 1000W power handle                     | 5. Inlet grille                 |
| 2. 50mm round mixed bristle brush         | Controls:                       |
| 3. 30mm round mixed bristle curling brush | ⌘, ⌘ Speed/heat selector switch |
| 4. Attachment lock/release button         | ❄ Cool shot                     |
- 

### INSTRUCTIONS FOR USE

---

#### Prepare the hair for styling

- Wash and condition the hair as normal.
- Squeeze out excess moisture with a towel and comb through.
- For best results, dry your hair as normal until it is about 70-80% dry.
- Divide the hair into sections, style the lower layers first.

#### To fit attachments

- Fit the brush head before you turn on the appliance.
- Fit the brush as shown in figure A aligning the symbols as shown.
- To remove, press the attachment lock/release button and pull the attachment off the power handle. Take care when you do this as attachments will be hot after use.

#### Speed and temperature settings

1. Plug your styler in to the mains power supply.
2. To turn your air styler on, slide the speed/heat selector switch to the ⌘ (low) or ⌘ (high) position.
3. Your air styler has two temperature settings:
  - High (⌘): Thick and difficult to style hair
  - Low (⌘): Thin/fine, damaged or bleached hair
4. Use the heat selector switch to select the appropriate temperature for your hair type.

**Creating volume using the 50mm brush**

1. To dry your roots and add volume, place the brush underneath the section close to the roots and hold for a few seconds, lifting the hair as you dry.
2. Move the styler downward through the hair section.
3. Repeat this around the head.
4. Let the hair cool before further styling.

**Creating curls and shaped ends using the 30mm and 50mm brushes**

1. To curl the ends in, place the brush underneath the section close to the ends and rotate the styler inwards allowing the hair to wrap around the barrel and hold for a few seconds.
2. To curl the ends out, place the brush on top of the section close to the ends and rotate the styler outwards allowing the hair to wrap around the barrel and hold for a few seconds.
3. Repeat this around the head.
4. Let the hair cool before further styling.

**Cool Setting**

1. To set your style, use the cool setting. To operate press the cool shot button down and slide forward. Slide back to turn off.

---

**CLEANING AND MAINTENANCE**

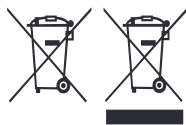
---

- After use, turn the appliance off and unplug.
- Unplug the appliance and allow to cool before cleaning and storing away.
- To maintain peak product performance and to prolong motor life, it is important to regularly remove any dust and dirt from the air filter grille and clean with a soft brush.
- Don't use harsh or abrasive cleaning agents or solvents.

---

**RECYCLING**

---



To avoid environmental and health problems due to hazardous substances, appliances and rechargeable and non-rechargeable batteries marked with one of these symbols must not be disposed of with unsorted municipal waste. Always dispose of electrical and electronic products and, where applicable, rechargeable and non-rechargeable batteries, at an appropriate official recycling/ collection point.